

800mm Skillion Shed Wall Joiner

We have asked you to open this box first and to read these instructions first as this will help you plan your build and to get the sequence of construction correct.

Taking your time to read these, and subsequent instructions, **before** you start to build will save you a lot of time and frustration. It will help you to avoid having to do certain steps twice.

You have purchased a shed that uses our unique joining system to create extended walls along two sides.

This joiner ensures that you have a weatherproof seal along the wall and roof interfaces.

Depending on your final wall length, and the door configuration you chose at point of purchase, you have been supplied with wall and roof modules that you will assemble and then join together using this joiner at the final stage of construction just prior to bolting you shed down.

You will have been supplied with either 10 or 11 cartons, depending on your shed size. Each carton is clearly marked on the spine and face as to what it is. We suggest that you use the following table and the information in the Door Configuration Appendix in the back of these instructions to sort your cartons into wall groups.

Final Shed Measure	Wall & Roof 1	Wall & Roof 2
6.0 metre	3.0 metre	3.0 metre
5.2 metre	3.0 metre	2.3 metre
4.5 metre	2.3 metre	2.3 metre
	3.0 metre	1.5 metre
3.7 metre	2.3 metre	1.5 metre
	3.0 metre	0.8 metre

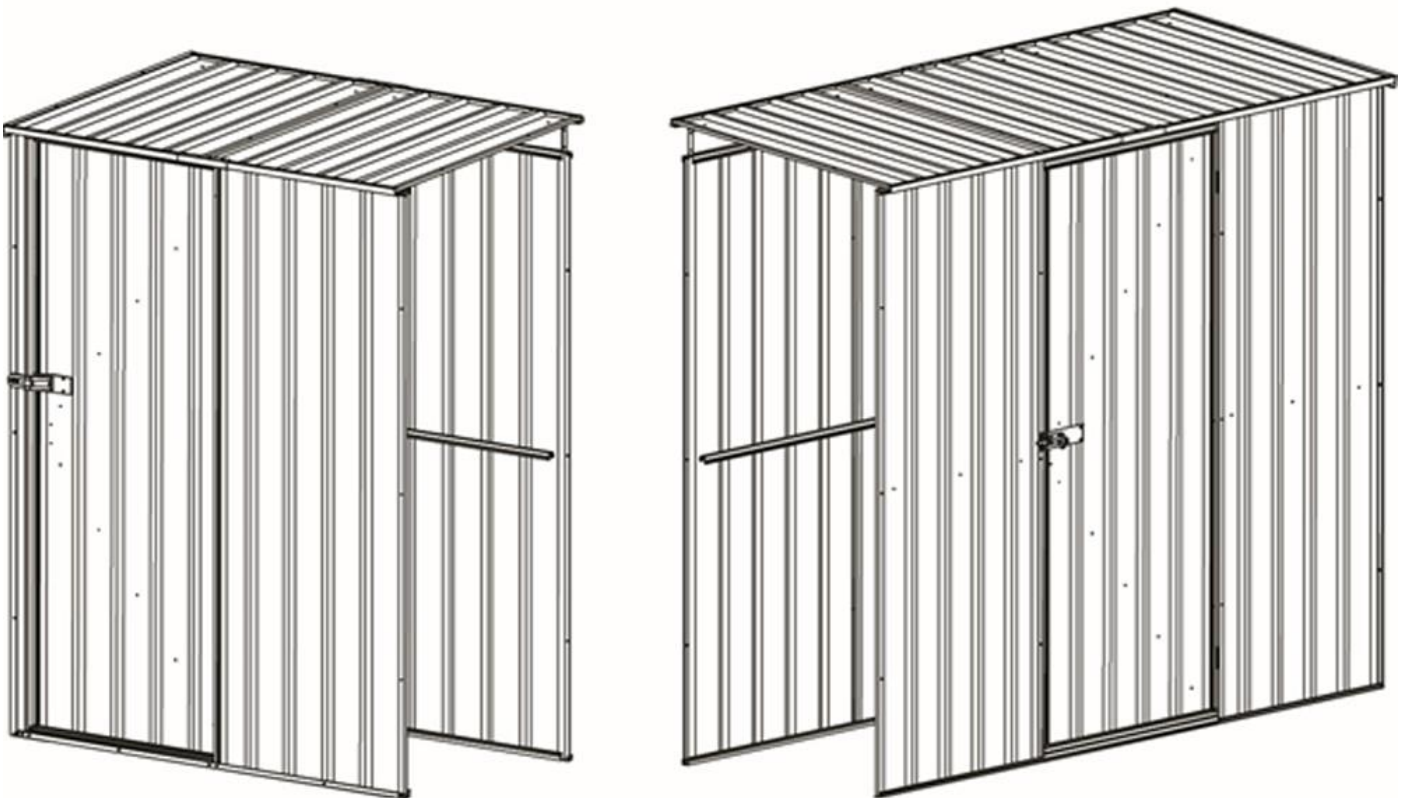
Please go to the Door Configuration Appendix at the back of these instructions for more details about the specific modules that make up the wall length and door configuration that you chose at point of purchase.

The Basics

Now that you have sorted out your cartons you can move onto the next phase.

Do not underestimate the time that it will take to build this shed. Put aside 2 days to complete the task.

You will be assembling your shed in two halves and then using this joiner to connect these halves together. It is just like joining two sheds together but we have saved you some time and money by not supplying the two end walls that you do not need.



This joiner will replace 2 x 08N0 end walls, 2 x skillion infills and 2 x roof lips, creating a weatherproof connection.

Each of your cartons corresponds to a wall or roof module that you will build. Here is the construction sequence that we suggest.

1. Build each **wall** module. It does not really matter which wall module you start with. Once completed, put it to one side and then assemble the next wall module.
2. Once you have assembled all of the wall modules start to build the roof modules. Note that the instructions in the roof module assume you have 4 walls but you will only have three as pictured above. You will also have some parts left over that you will not need. (see note below)
3. You then assemble the modules into two half shed sections as pictured above.

4. You then join these sections using this joiner.
5. You then bolt your shed into position.

At this point we suggest that you get the instructions out of one of your roof modules to review. They contain information about getting your site ready and general safety information.

Important



In your roof instructions there are directions on assembling the walls that you have prebuilt (point 1 above) remember, you are building a three sided half shed. You will not need the 08N0 wall, (which we have not supplied) one of the triangular gable infills SG01 or SG02, and one of the lips SL01 that were supplied in each of your roof module packs. These will be replaced by this joiner. Depending on your roof size you may also have roof sheets left over. This is normal, do not be alarmed. Read the roof module instructions now.

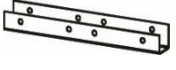



You can now put these instructions in a safe place you will need them later. You can get on with building your half shed sections and then come back to the instructions below once you have completed that part of the build.

Check the contents


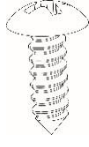
Before you start to connect your shed half sections you will need to check off all of the contents.

Parts checklist for a S08J

Picture	Description	Component	Location	Part No.	QTY	Check
	Jamb	Jamb 1898	front rear wall	SJ08	2	
	Jamb	Jamb 871	roof	SJ10	1	

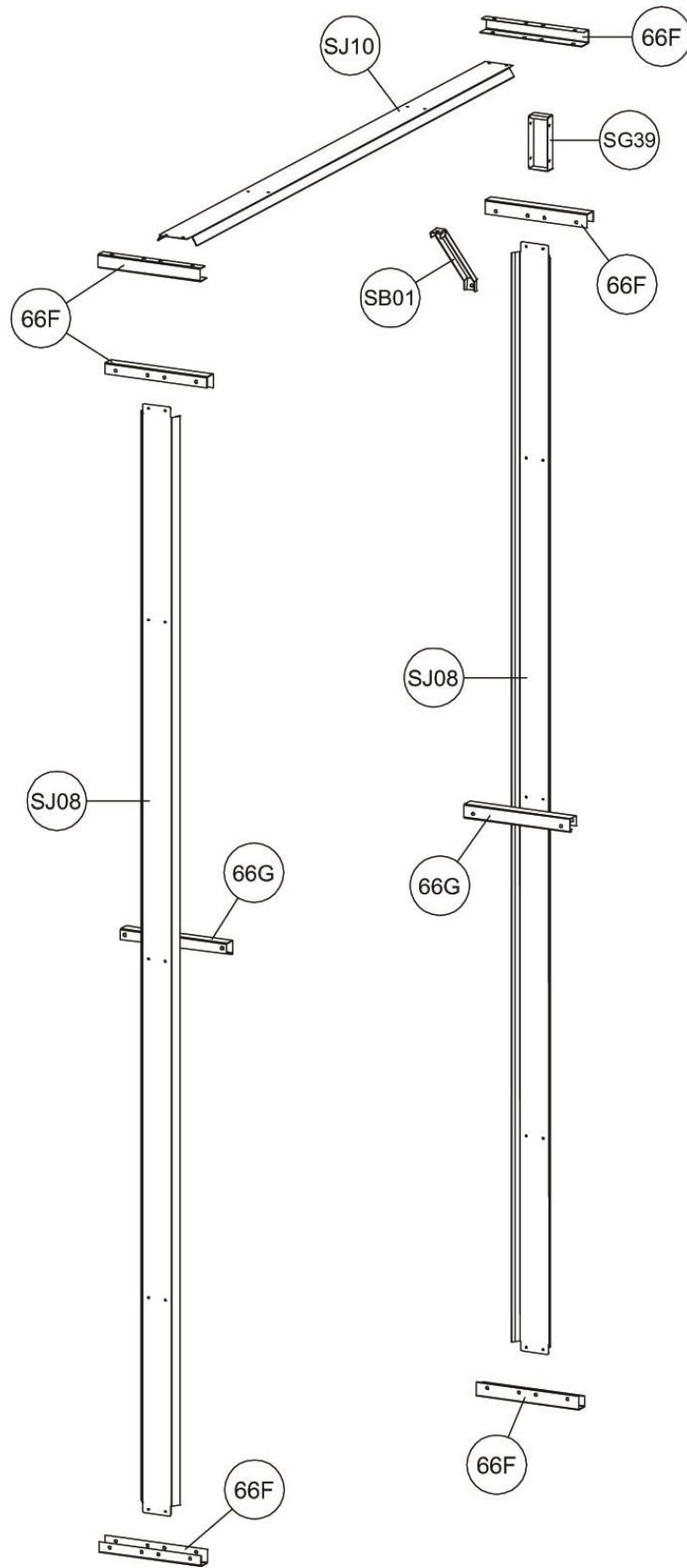
Picture	Description	Component	Location	Part No.	QTY	Check
	Channel connector	Channel connector 168mm		66F	6	
	Mid wall channel connector	Mid wall channel connector 195mm	front rear wall	66G	2	
	Gable	Gable 35mm	roof	SG39	1	
	Roof brace	Roof brace zinc	roof	SB01	1	

Fittings Pack

Picture	Component	QTY	Picture	Component	QTY
	Self tapping screws(10mm)	60		Self tapping screws(16mm)	15

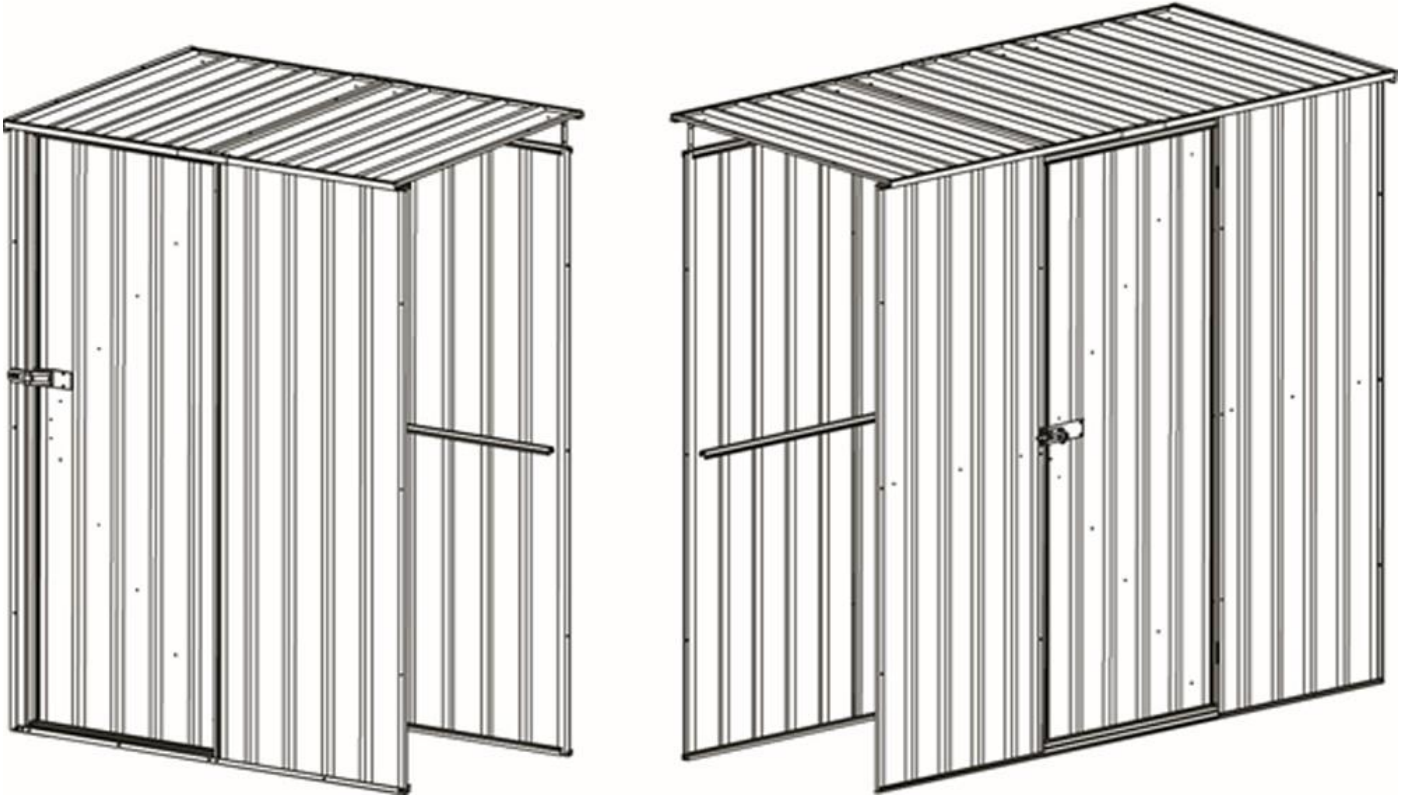
If you are missing anything call The Garden Shed Hotline 1300 781 230

Here is what you are building



Connecting you half shed sections.

You should now have completed assembling your two half shed sections. They should look similar to this diagram.

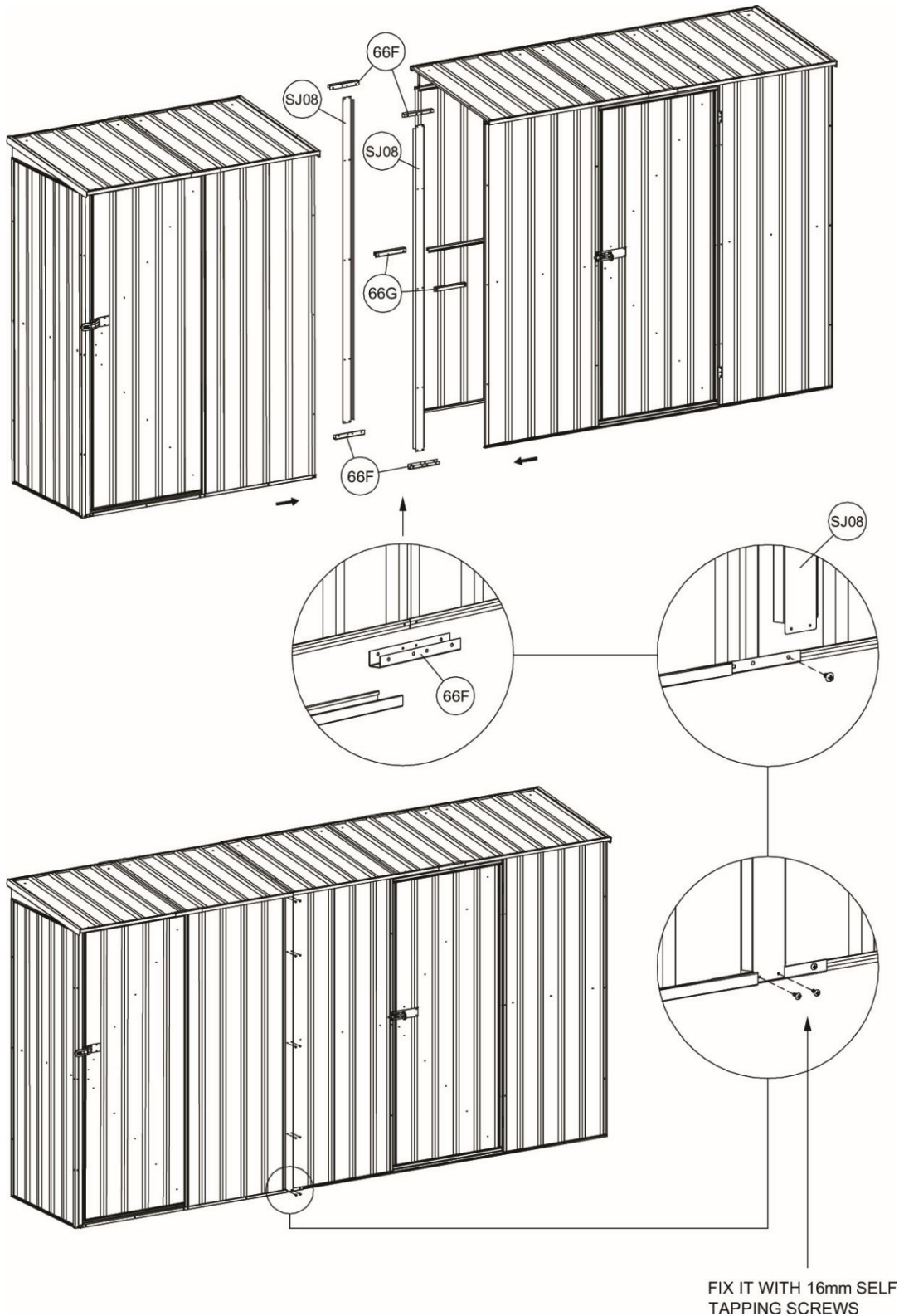


Position your half shed sections roughly where you want your shed to sit. You will need enough working space to get to the outside walls and roof of the shed to install the joiner.

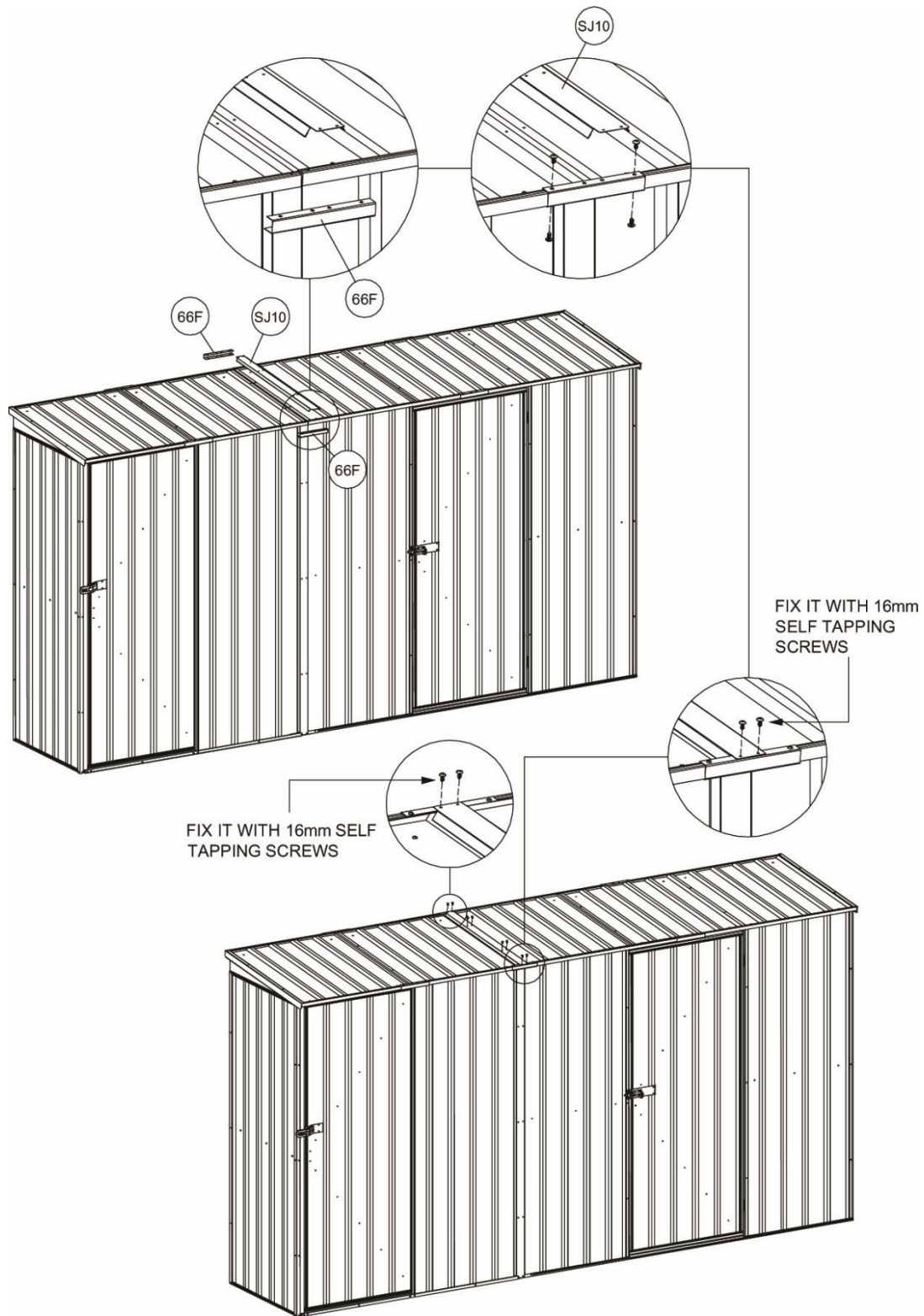
If you have a confined space, you may need to connect the shed sections and then “walk” your shed into position. If you intend to do it this way, now is the time to “call a friend(s)” You will need four to six people to do this. Helpers will need to support both ends and the centre where the joiner is located. Walk the shed into position slowly, avoid dragging the shed as it may go out of square.

Start by placing a 66F joiner into position between the two bottom channels of your half shed section front walls.

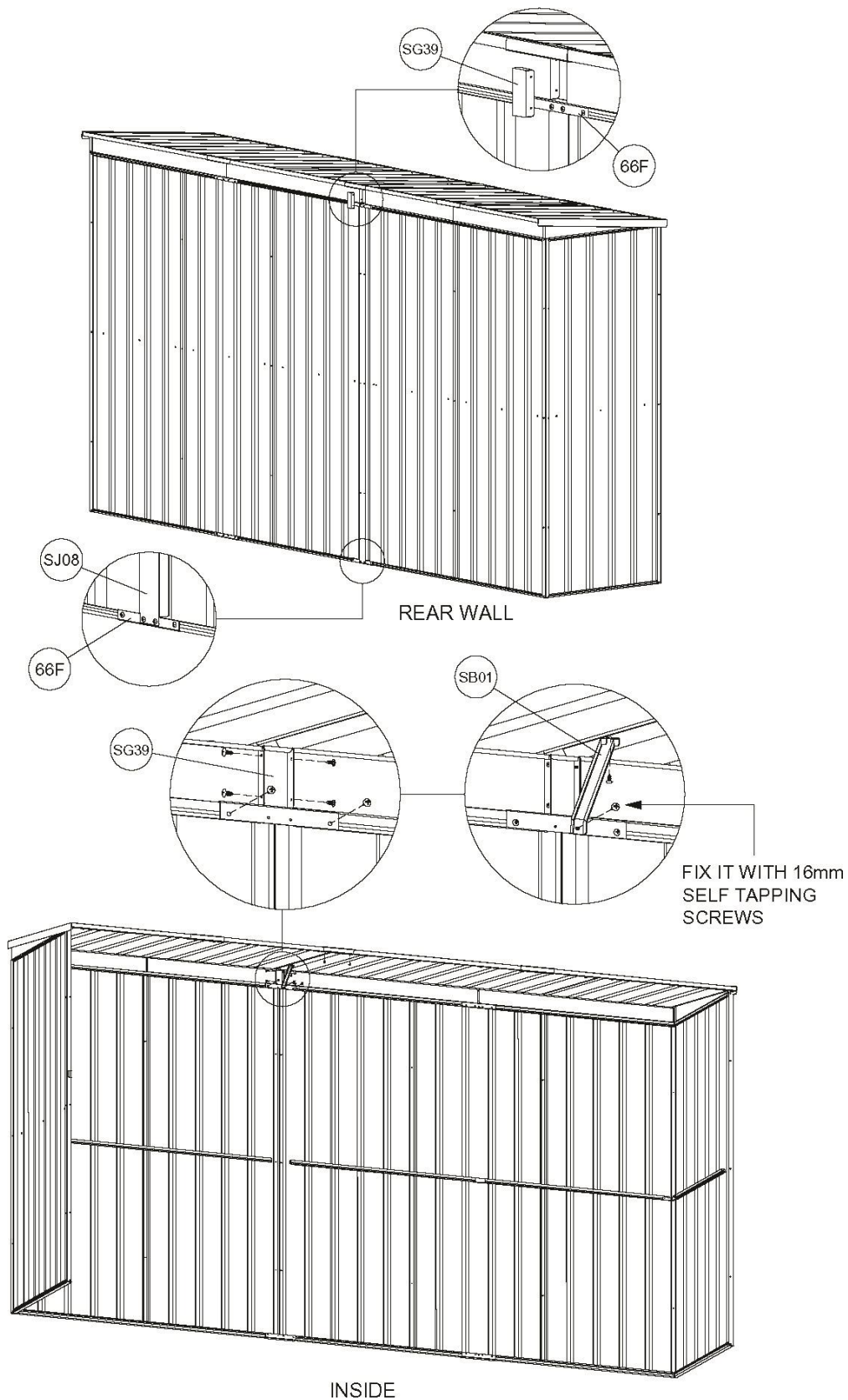
Now place SJ08 Jamb into position as per the diagram. Use 16mm self-tapping screws to fix the 66F joiner and SJ08 Jamb together. Now fix the SJ08 Jamb to the wall sheets as per diagram using self tapping screws. Repeat this procedure for the rear walls.



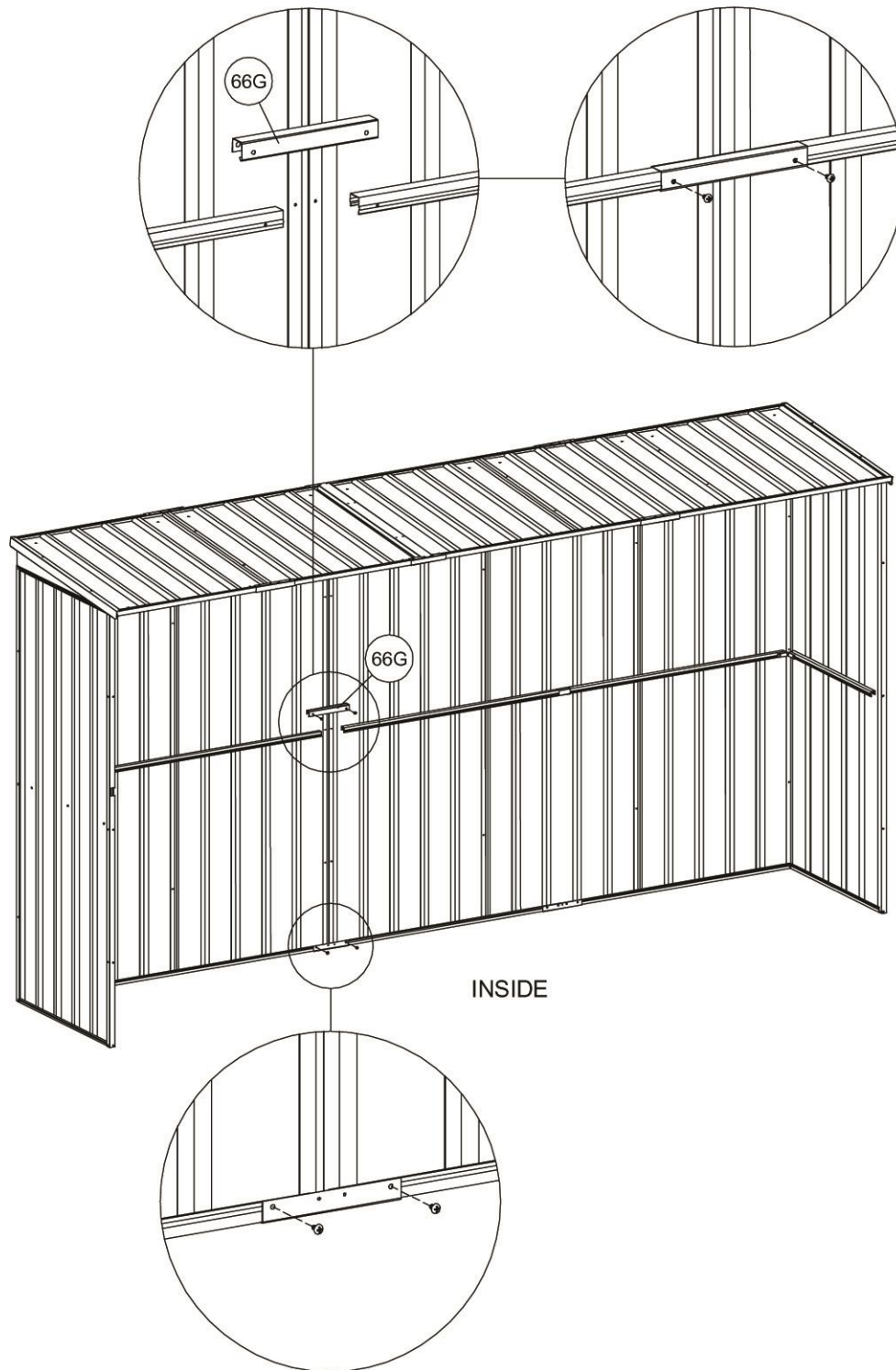
Place the 66F joiners on the roof channels as per the diagram. Place the SJ10 roof Jamb into position as per the diagram. Use 16mm self-tapping screws to fix 66F joiner and SJ10 roof Jamb together. Now fix the SJ10 roof Jamb to the roof sheets as per diagram using self tapping screws.



Now fit SG39 Gable infill piece as per the diagram. Fix with 16mm self-tapping screws. Now move inside the shed. Attach the Brace SB01 as per the diagram. When fixing to the joiner section use a 3mm drill to make a pilot hole from below, then secure with a 16mm self-tapping screw from the top.



Fit 66G mid wall frame connector to back and front of shed as per the diagram Fix with 10mm self-tapping screws



You are now ready to bolt down your shed. Refer back to the roof module instructions for how to bolt down your shed. Bolt down brackets can be flexibly placed to suit your position. You should try and position a bolt down bracket either side of the joiner, either side of a door opening and at equal distances on other walls.

Appendix 1 - Door Configurations

On the following pages you will find door configurations for our extended shed range.

You have been supplied with the wall modules that correspond to the shed door configuration you chose at point of purchase.

Go to the page that corresponds to your sheds longest wall. This is where you will find the modules required to build your sheds longest wall. Typically, you will either have 2 walls with no doors, if you chose a shed with no doors on the longest wall. Or you will have one wall with no doors and a corresponding wall with doors. Sort your cartons into wall groups. This will make the assemble process easier.

Important Points



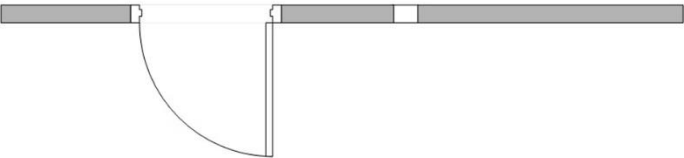
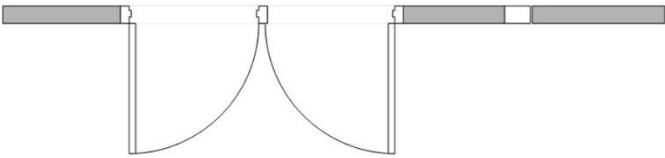
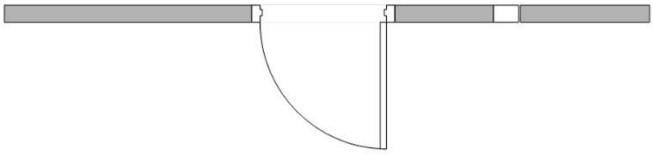
If you have chosen a shed with sliding doors, simply substitute an “S” for the “H” for the modules listed in the following tables

You cannot build **all** of the door configurations listed for a specific wall length with the modules you have. You have been supplied with the wall modules to build the wall/door configuration that **you chose at point of purchase**.

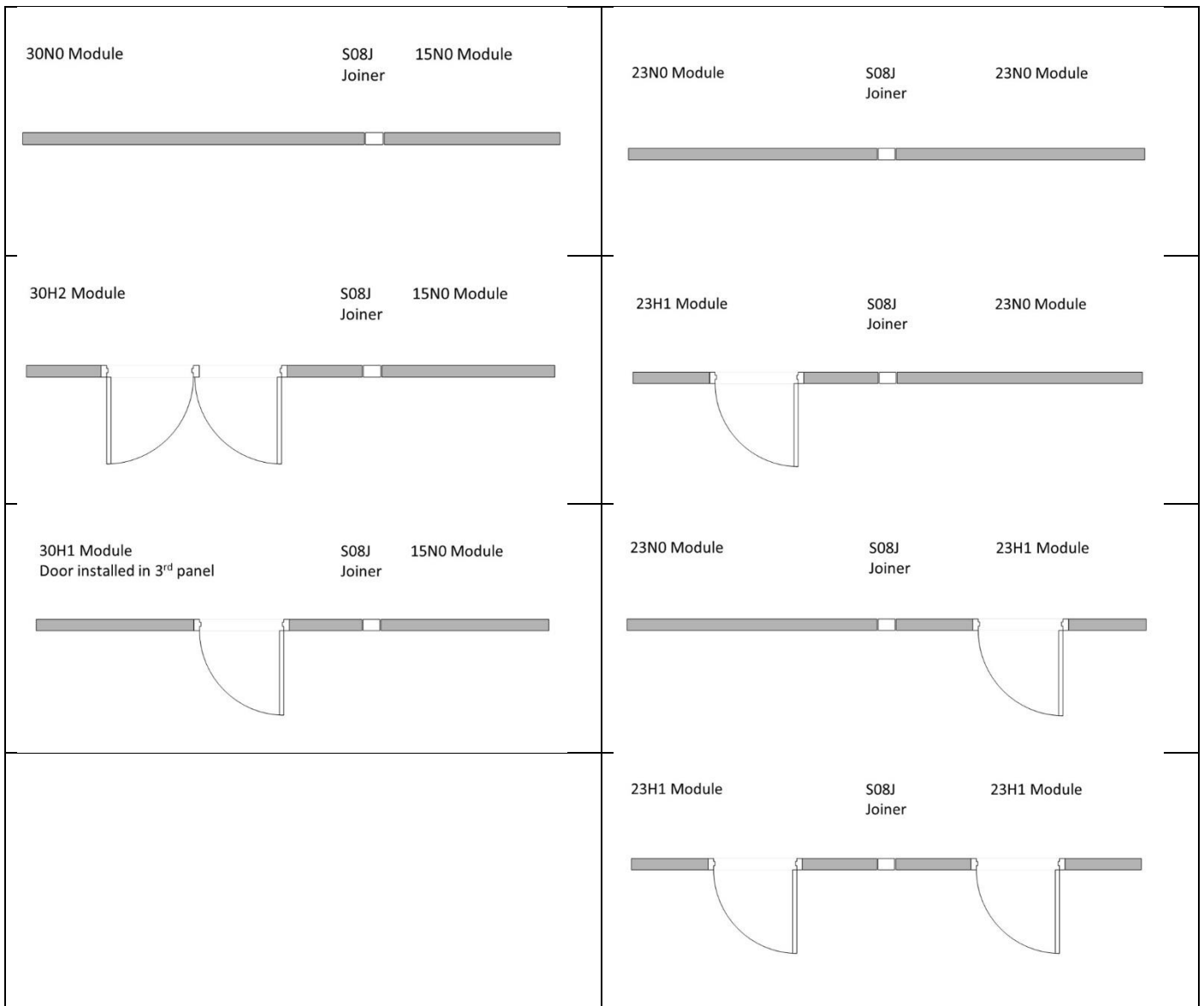
You cannot position a door immediately adjacent to the joiner. There must be a blank panel either side of the joiner.

You can change the way a door opens by turning it upside down and repositioning channels. You may have to drill additional holes or make minor modifications to the corner angle joiner to accommodate the padbolt if the door is hard up against the corner.

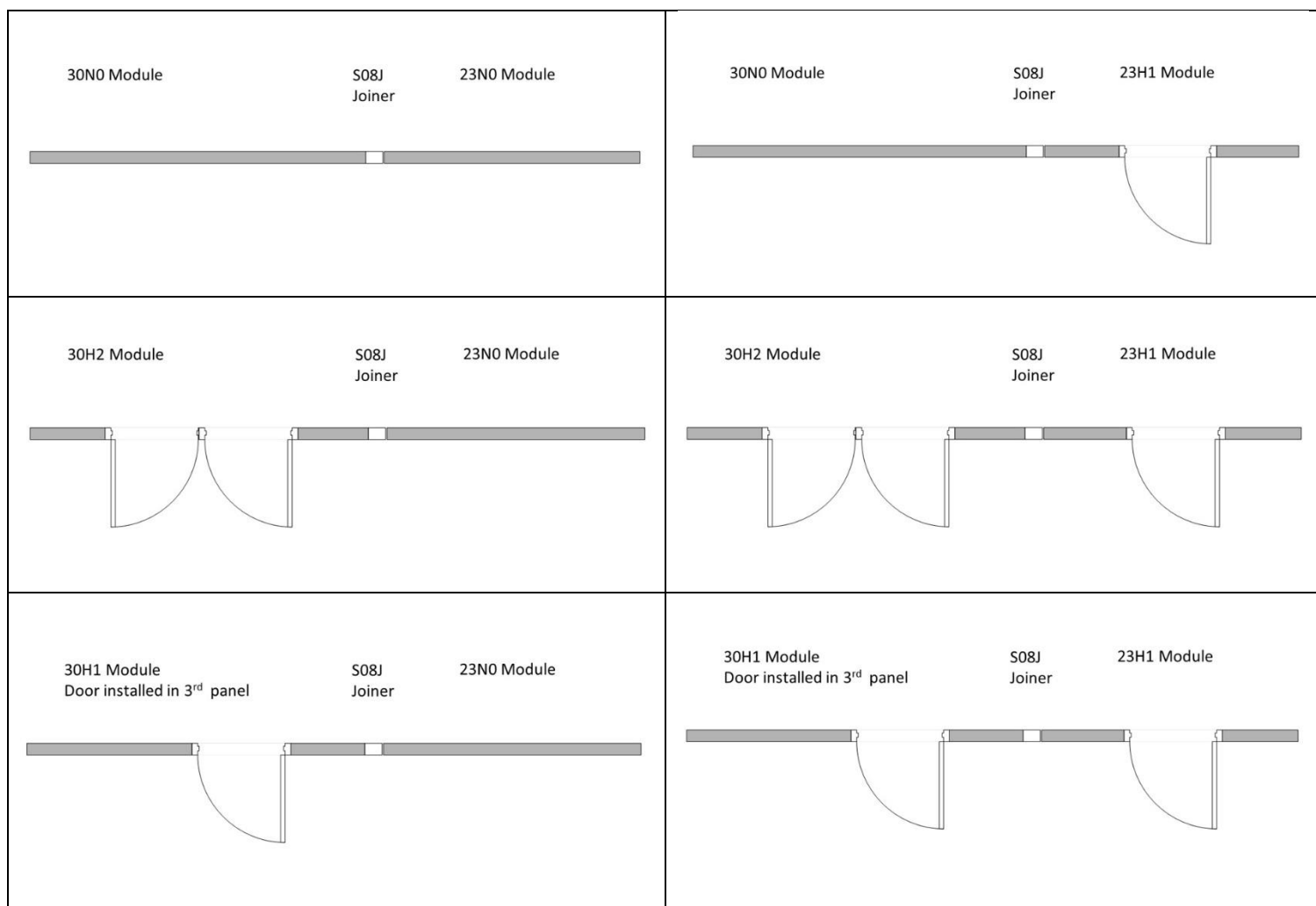
3.7 metre Door Configurations

<p>23N0 Module S08J Joiner 15N0 Module</p> 	<p>30N0 Module S08J Joiner 08N0 Module</p> 
<p>23H1 Module S08J Joiner 15N0 Module</p> 	<p>30H2 Module S08J Joiner 08N0 Module</p> 
	<p>30H1 Module Door installed in 3rd panel S08J Joiner 08N0 Module</p> 

4.5 metre Door Configurations



5.2 Metre Door Configurations



6.0 Metre Door Configuration

